

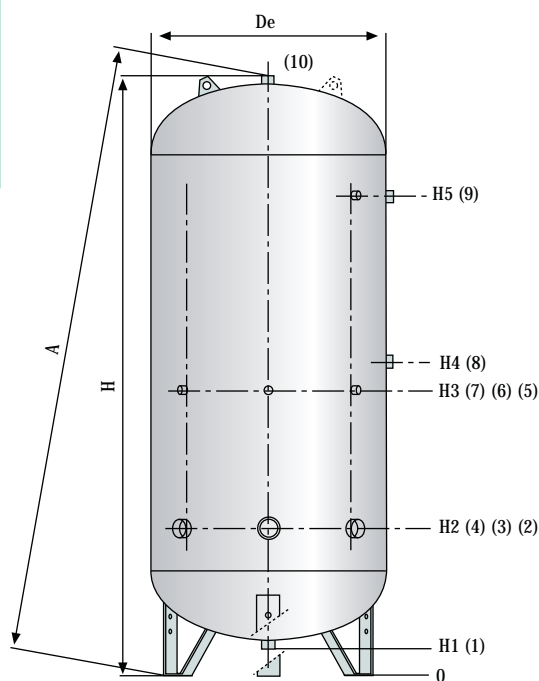
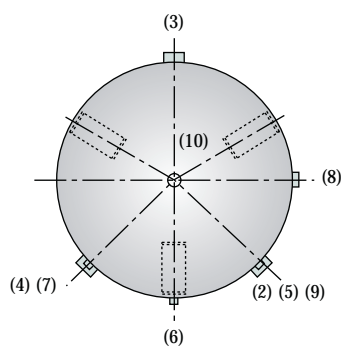
# SERB. Z SC VT



SERBATOIO ZINCATO PER ACCUMULO ACQUA IN PRESSIONE VERTICALE

PRESSIONE	TEMPERATURA
Pmax	Tmax
6 bar	0/+50 °C

Capacità	SERB. Z SC VT
litri	CODICE
50	3251161990001
100	3251161990002
200	3251161990003
300	3251161990004
500	3251161990005
750	3251161990006
1000	3251161990007
1500	3251161990008
2000	3251161990009



Capacità	De	H	A	H1	H2	H3	H4	H5	1-10	2-3-4	5-6-7-9	8
litri	mm								Connessioni Gas F			
50	400	602	635	82	237	327	-	-	1"	1"	1/2"	-
100	400	1007	1020	73	327	477	567	752	1" 1/4	1"	1/2"	1" 1/4
200	450	1407	1420	68	337	537	737	1137	1" 1/4	1"	1/2"	1" 1/4
300	550	1519	1530	129	424	724	824	1224	1" 1/4	1" 1/4	1/2"	1" 1/4
500	650	1811	1825	121	441	841	941	1491	1" 1/4	1" 1/2	1/2"	1" 1/4
750	750	2108	2125	108	508	958	1058	1708	1" 1/4	1" 1/2	1/2"	1" 1/4
1000	850	2162	2180	96	529	979	1079	1729	1" 1/2	1" 1/2	1/2"	1" 1/4
1500	950	2473	2495	113	568	1068	1168	2018	2"	2"	1/2"	1" 1/4
2000	1100	2544	2570	95	594	1094	1194	2044	2"	2"	1/2"	1" 1/4